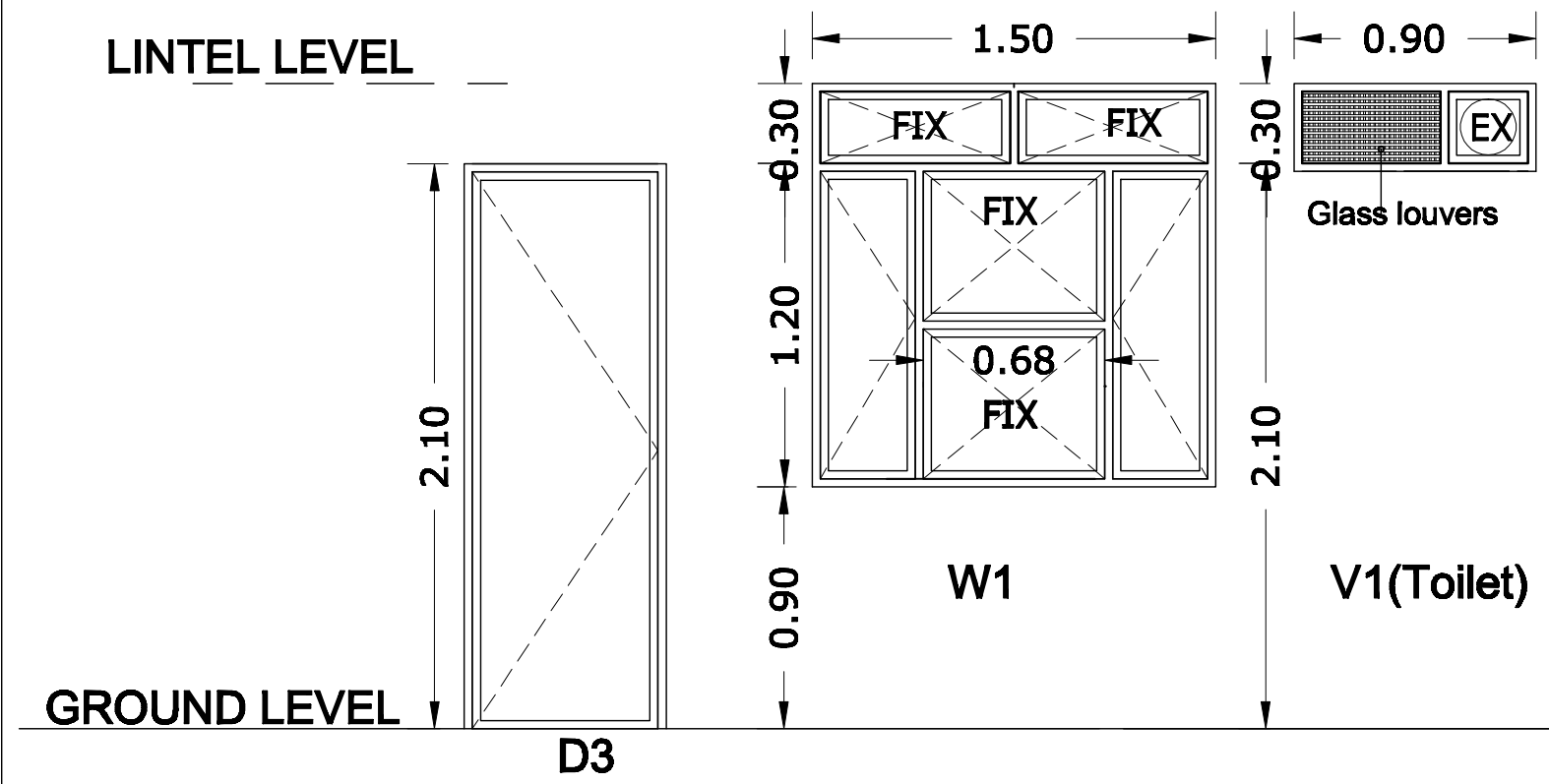
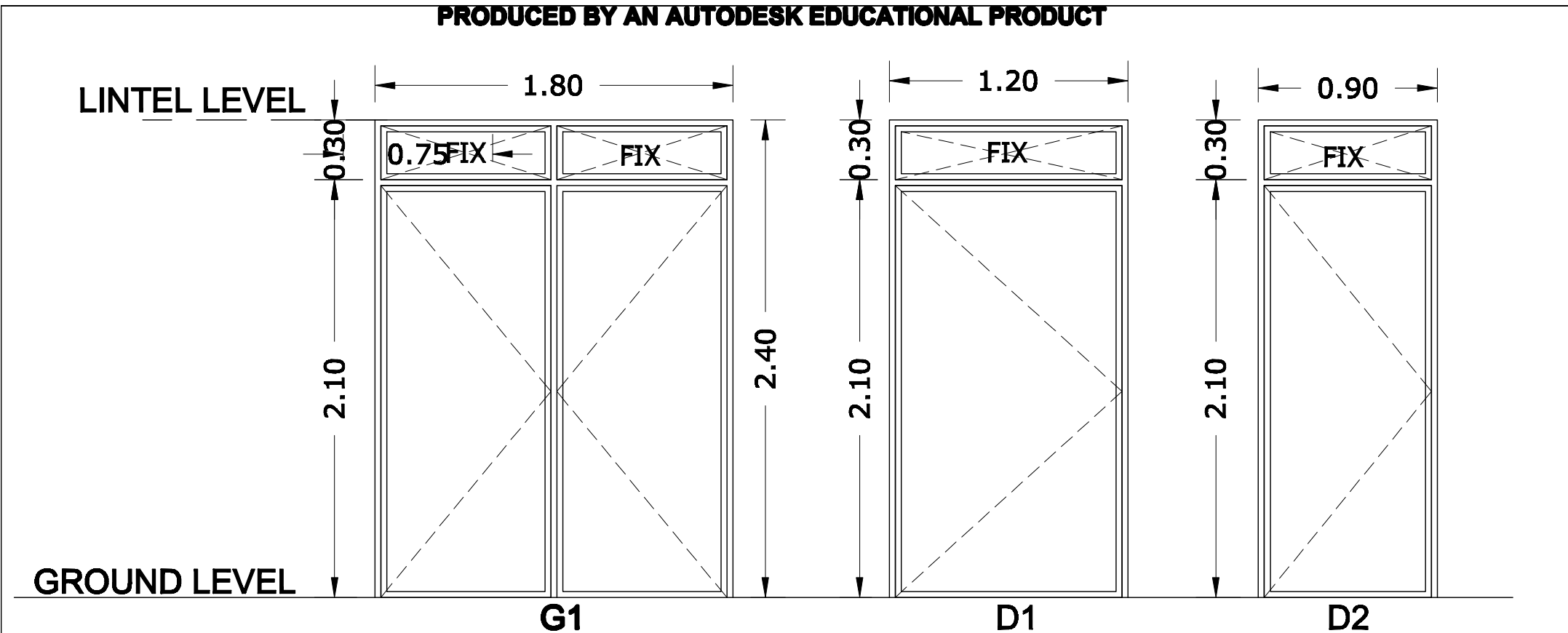


PRODUCED BY AN AUTODESK EDUCATIONAL PRODUCT

PRODUCED BY AN AUTODESK EDUCATIONAL PRODUCT



**DOOR/ WINDOW SCHUDLE**

NOS.	DOOR MARK	WIDTH	SILL	LINTEL
01	G1	1.80	-----	2.40
02	D1	1.20	-----	2.40
03	D2	0.90	-----	2.40
04	D3	0.75	-----	2.10
05	W1	1.50	0.90	2.40
06	W3	0.90	0.90	2.40
07	V1	0.90	2.10	2.40

Area = 190.90sq.mt.

N.T.S.	N	NAME OF DRAWING	NAME OF PROJECT	CHIEF PROJ. ENGINEER
SCALE:-		DOOR/ WINDOW SCHUDLE	HOSPITAL MEDICAL EQUIPMENT REPAIR (HMER)WORKSHOP	
DRG. NO.				SR. ARCHITECT

PRODUCED BY AN AUTODESK EDUCATIONAL PRODUCT